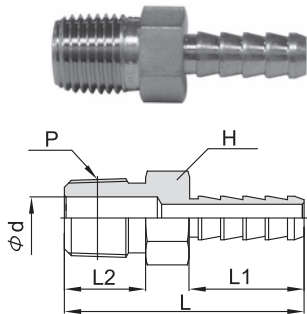


Hy-Lok Hose Connectors

Catalog No. H-HC100
Mar. 2005

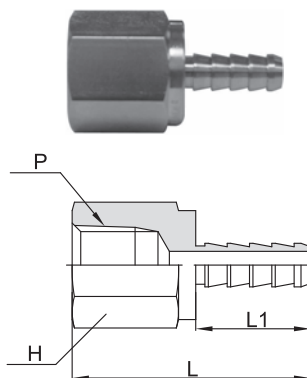
- Hy-Lok Hose Connectors provide quick and easy installation for soft plastic or rubber hose.
- Reusable
- 316 Stainless Steel or Brass

Male Hose Connector



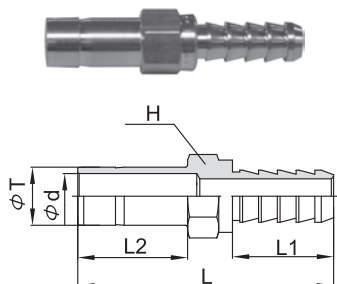
Part Number	HOSE Size	P NPT	d	Width Across Flat H	L	L1	L2
H-HCM 6M- 2N	6	1/8	4.8	11.1	37.3	20.1	9.7
H-HCM 6M- 4N	6	1/4	7.1	14.2	41.9	20.1	12.7
H-HCM 6M- 6N	6	1/8	9.7	17.4	42.2	20.1	12.7
H-HCM 6M- 8N	6	1/4	11.9	22.2	47.0	20.1	19.1
H-HCM10M- 4N	10	1/4	7.1	14.2	43.9	22.1	12.7
H-HCM10M- 6N	10	3/8	9.7	17.4	44.2	22.1	12.7
H-HCM10M- 8N	10	1/2	11.9	22.2	49.8	22.1	19.1
H-HCM12M- 4N	12	1/4	7.1	14.2	45.7	23.9	12.7
H-HCM12M- 6N	12	3/8	9.7	17.4	46.0	23.9	12.7
H-HCM12M- 8N	12	1/2	11.9	22.2	51.6	23.9	19.1
H-HCM16M- 8N	16	1/2	11.9	22.2	52.6	24.9	19.1
H-HCM16M-12N	16	3/4	16.0	26.9	52.6	24.9	19.1

Female Hose Connector



Part Number	HOSE Size	P NPT	Width Across Flat H	L	L1
H-HCF 6M-2N	6	1/8	14.2	37.3	20.1
H-HCF 6M-4N	6	1/4	19.1	41.7	20.1
H-HCF 6M-6N	6	3/8	22.2	43.4	20.1
H-HCF10M-4N	10	1/4	19.1	42.9	22.1
H-HCF10M-6N	10	3/8	22.2	45.2	22.1
H-HCF10M-8N	10	1/2	26.9	51.6	22.1
H-HCF12M-8N	12	1/2	26.9	54.1	23.9

Hose Connector to Port



Part Number	HOSE Size	Tube Size T	Width Across Flat H	L	L1	L2	d
H-HCT 6M- 6M	6	6	11.1	46.5	20.1	15.75	4.6
H-HCT10M-10M	10	10	14.2	50.3	22.1	17.5	7.7
H-HCT12M-12M	12	12	17.4	57.7	23.9	24.0	9.1
H-HCT16M-16M	16	16	19.1	59.7	24.9	24.9	12.7

All dimension are in millimeters.
Dimension are for reference only, subject to change.



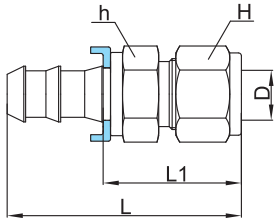
HY-LOK CORPORATION

©2005 HY-LOK CORPORATION All rights reserved

Hy-Lok Push-On Hose Fittings

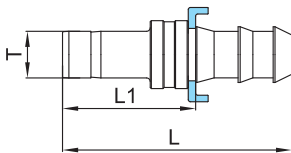
- Easy Assembly
- Reusable
- Hy-Lok Tube Adapter
- No Special Tools
- Saves Time and Cost

Tube Fitting



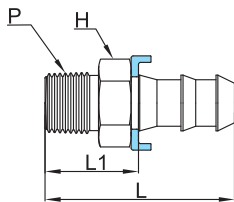
Part Number	Hose Size & Designation	D Tube O.D.	Width Across Flat		L Overall Length	L1 Cut-off Length
			H	h		
H-POHC4-4	1/4"(4)	1/4"	9/16"	1/2"	1.74"	1.00"
H-POHC6-6	3/8"(6)	3/8"	11/16"	5/8"	1.94"	1.09"
H-POHC8-8	1/2"(8)	1/2"	7/8"	13/16"	2.25"	1.22"

Tube Adapter



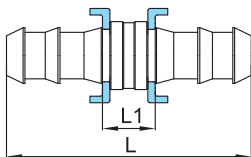
Part Number	Hose Size & Designation	T Tube O.D.	L Overall Length	L1 Cut-off Length
H-POTA 4- 4	1/4"(4)	1/4"	1.91"	1.15"
H-POTA 6- 6	3/8"(6)	3/8"	2.02"	1.15"
H-POTA 8- 8	1/2"(8)	1/2"	2.42"	1.37"
H-POTA12-12	3/4"(12)	3/4"	3.14"	1.48"
H-POTA 4- 6M	1/4"(4)	6mm	48.5mm	29.2mm
H-POTA 4- 8M	1/4"(4)	8mm	48.5mm	29.2mm
H-POTA 6- 8M	3/8"(6)	8mm	52.1mm	30.0mm
H-POTA 6-10M	3/8"(6)	10mm	51.3mm	29.2mm
H-POTA 8-12M	1/2"(8)	12mm	61.5mm	34.8mm
H-POTA12-18M	3/4"(12)	18mm	79.8mm	37.6mm

Male Adapter



Part Number	Hose Size & Designation	P NPT/ISO Pipe Threads	H HEX FLAT	L Overall Length	L1 Cut-off Length
H-POMA 4- 4N(R)	1/4"(4)	1/4"	9/16"	1.68"	0.92"
H-POMA 6- 4N(R)	3/8"(6)	1/4"	11/16"	1.80"	0.93"
H-POMA 6- 6N(R)	3/8"(6)	3/8"	11/16"	1.80"	0.93"
H-POMA 8- 8N(R)	1/2"(8)	1/2"	7/8"	2.19"	1.15"
H-POMA12-12N(R)	3/4"(12)	3/4"	1 1/8"	2.81"	1.16"

Straight Union



Part Number	Hose Size & Designation	L (Overall Length)	L1 (Cut-off Length)
H-POU- 4	1/4"(4)	2.07"	0.55"
H-POU- 6	3/8"(6)	2.25"	0.52"
H-POU- 8	1/2"(8)	2.61"	0.52"
H-POU-12	3/4"(12)	3.83"	0.52"